



KANE COUNTY WATER CONSERVANCY DISTRICT

190 W. Center Street, Suite 200 • Kanab, UT 84741
 (435) 644-3997 • Fax (435) 644-8679 • Email: kcwc@kanab.net

Kane County Water Conservancy District Duck Creek Water System Policies and Guidelines Monthly Water User Fee Schedule

Cedar Mountain and Surrounding Area Monthly User Fee Schedule Residential/Recreational Use

Level	Rate	Water Included
Level 1 – Service Availability	\$25.00	Base Rate-NO WATER*
Level 2- Plus \$3.00 per 1,000 gallons	3.00	1,000-15,000 Gallons per month
Level 3- Plus \$3.25 per 1,000 gallons	3.25	15,001-20,000 Gallons per month
Level 4- Plus \$3.50 per 1,000 gallons	3.50	20,001+ Gallons per month

Commercial Use

Level 1 –Minimum monthly fee	\$45.00	0-10,000 Gallons per month
Level 3- Plus \$3.00 per 1,000 gallons	3.00	10,001-15,000 Gallons per month
Level 4- Plus \$3.25 per 1,000 gallons	3.25	15,001-20,000 Gallons per month
Level 5- Plus \$3.50 per 1,000 gallons	3.50	20,001+ Gallons per month

*Please note that base rates will be charged each month regardless of usage on the meter. This charge even applies to vacant lots.

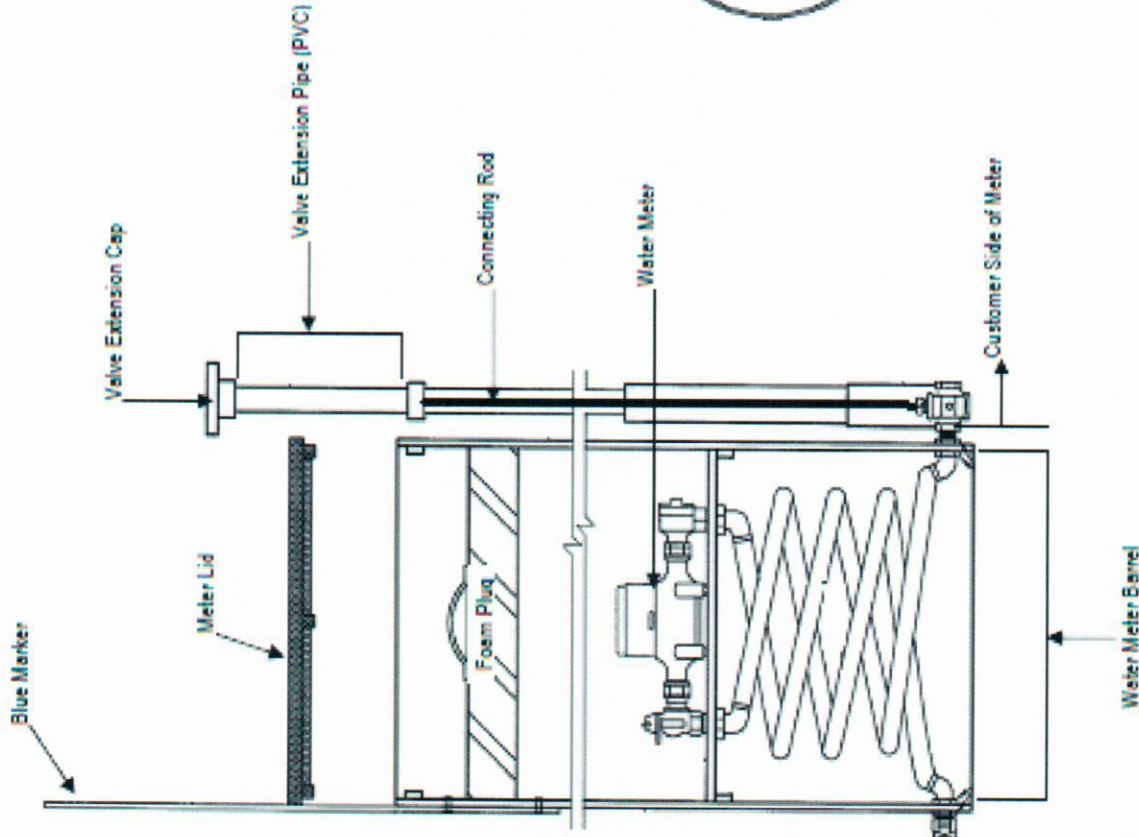
As a new user of our water system, access to over 2.5 million gallons of storage is available to you and will be delivered at pressures between 50 and 150 PSI. The new pressurized system has been designed to meet all state and county fire protection regulations.

On the reverse side of this sheet, you will find a diagram detailing your meter and how to turn it on and off. Here are a few things to keep in mind when using your water:

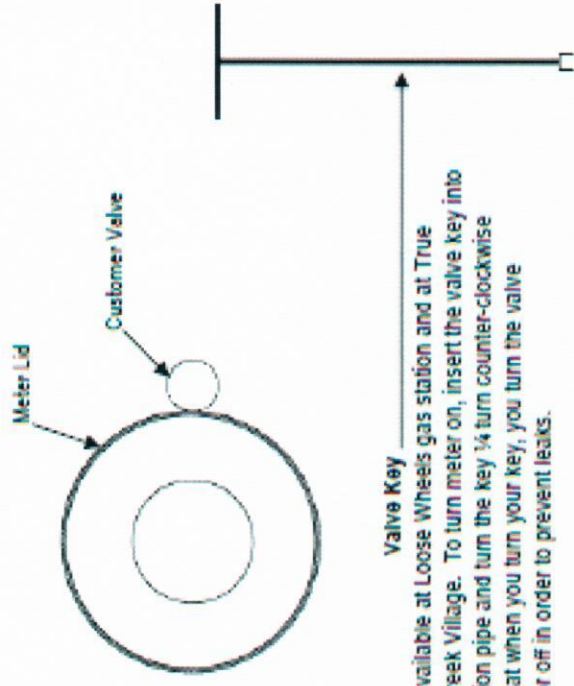
- **ALWAYS** turn your water off at the customer valve by the meter when leaving your property. By doing so, you are keeping pressure out of the line to your house which can prevent leaks and a high water bill. Also, please make sure you always turn the valve completely to the on or off position to prevent excess water usage. (See diagram on back side for details)
- It is highly recommended that you install a pressure-reducing valve (PRV) on your side of the meter to prevent a line break. Kane County Code requires a PRV when the pressure is 80 PSI or greater.
- Maintenance of the customer valve (key, PVC extension, and extension cap) is the customer's responsibility.
- If you need to access your meter inside of the barrel, please be sure to replace the foam plug securely on top of the meter and replace the meter lid. Any damage due to improperly covering the meter—rodent damage, freezing, etc. will be charged to the customer.
- Snow removal and access surrounding the meter is the customer's responsibility. If you call for service and the snow around your meter has not been cleared, we cannot respond.
- Service calls will be charged at a rate of \$45.00 per hour with a 1 hour minimum plus the cost of any parts that are needed to repair damage incurred by the customer.
- The Kane County Water Conservancy District will maintain all equipment within the meter barrel and the blue marker.

If you have any questions regarding these policies or about the diagram on the back of this sheet, please call (435) 644-3997, or e-mail kcwc@kanab.net.

Water Meter Barrel Detail—Side View



Water Meter Barrel Detail—Top View



Valve Key

Valve keys are available at Loose Wheels gas station and at True Value in Duck Creek Village. To turn meter on, insert the valve key into the valve extension pipe and turn the key $\frac{1}{4}$ turn counter-clockwise (left). Be sure that when you turn your key, you turn the valve completely on or off in order to prevent leaks.

Key In Off Position

Key will be parallel to the road when in the off position.

Key Turning

Turn key $\frac{1}{4}$ turn counter-clockwise to turn meter on.

Key In On Position

Key will be perpendicular to the road when in the on position.

IMPORTANT: ALWAYS ensure that the valve is fully in either the on or off position. Leaving the valve partway between the on and off position will result in water running through the stop and waste valve, which registers as usage on your meter. This will result in high water charges on your bill.